

# VERSION HISTORY

4

3

2

1

## Index:

- P01: REVISION HISTORY
- P02: BLOCK DIAGRAM
- P03: POWER TREE
- P04: DDR3 16X2
- P05: CPU
- P06: PMIC
- P07: NAND/eMMC
- P08: AUDIO
- P09: T-CARD/USB
- P10: CAMERA
- P11: LCD
- P12: Euler Bus
- P13: HDMI
- P14: LCD POWER
- P15: WIFI+BT
- P16: CTP/IR
- P17: Pi-2 Bus
- P18: EMAC/GMAC
- P19: EMAC/GMAC

Revision	Description	Date	Drawn	Checked	Approved
Ver 1.0	Release version	2015-04-22			
Ver 1.2		2015-09-28			

5

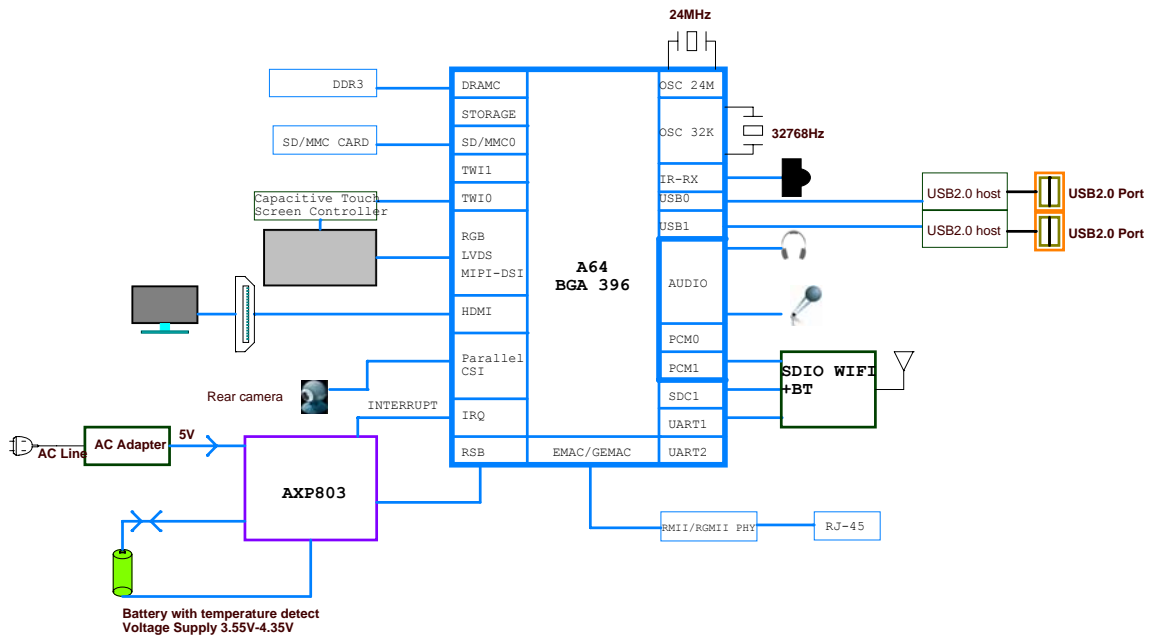
4

3

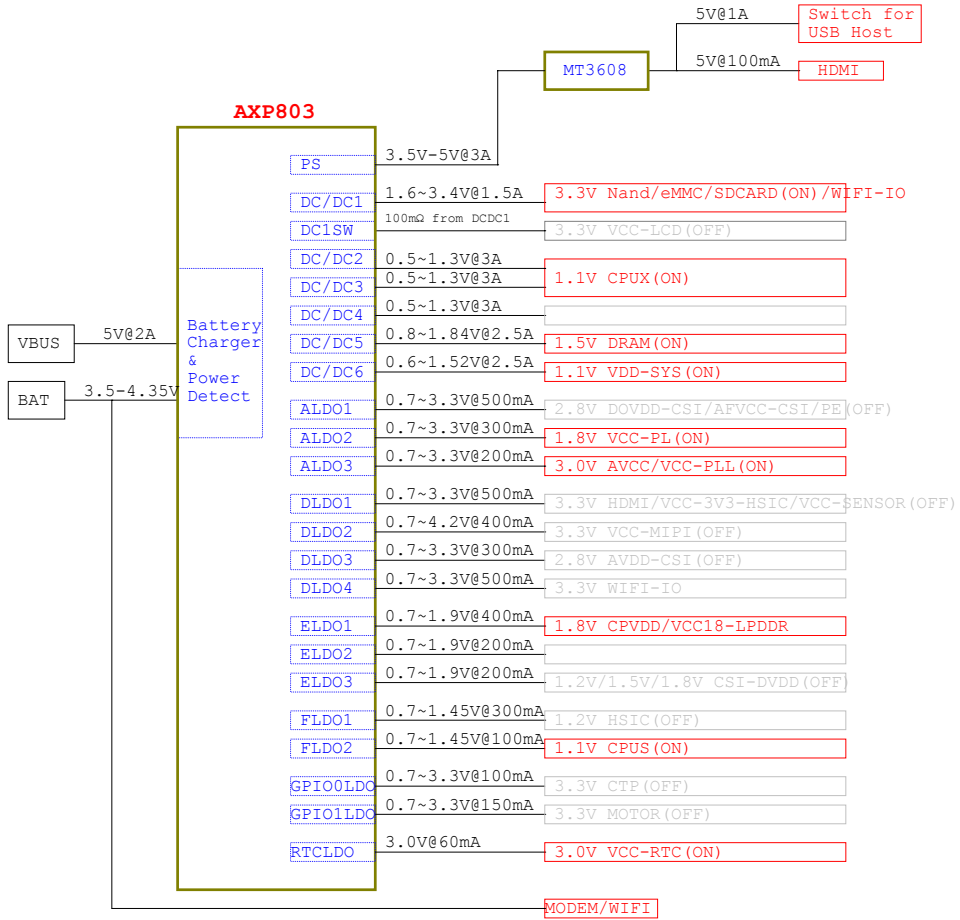
2

1

# BLOCK DIAGRAM

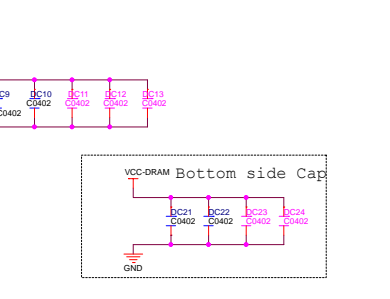
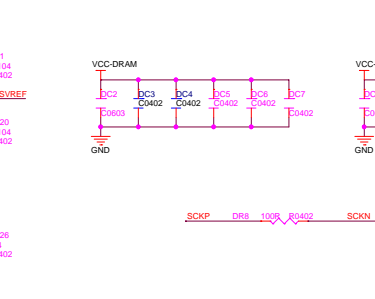
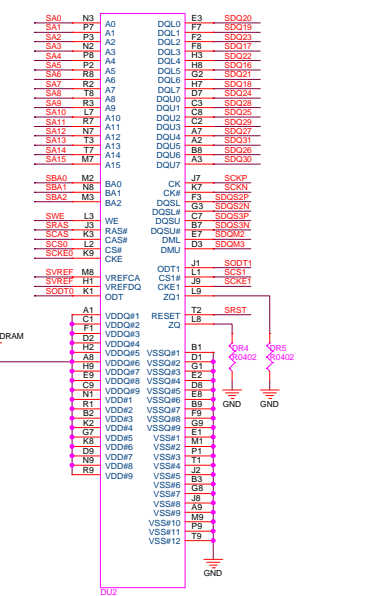
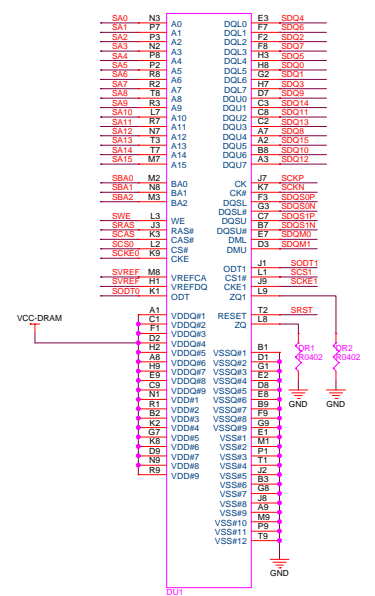
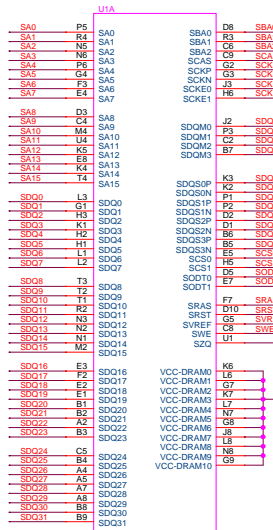


# POWER TREE



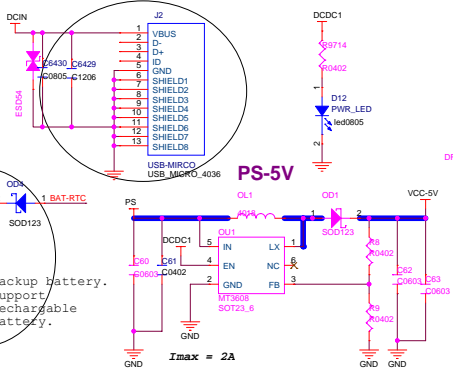
<b>Pine A64</b>	
Title	A64-DB
Document Number	<b>POWER TREE</b>
Pg 3/19	Rev V1.2

# DDR3 16x2

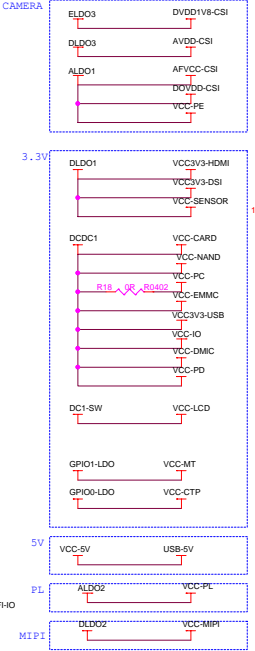
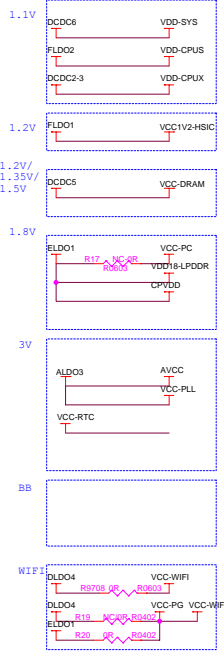
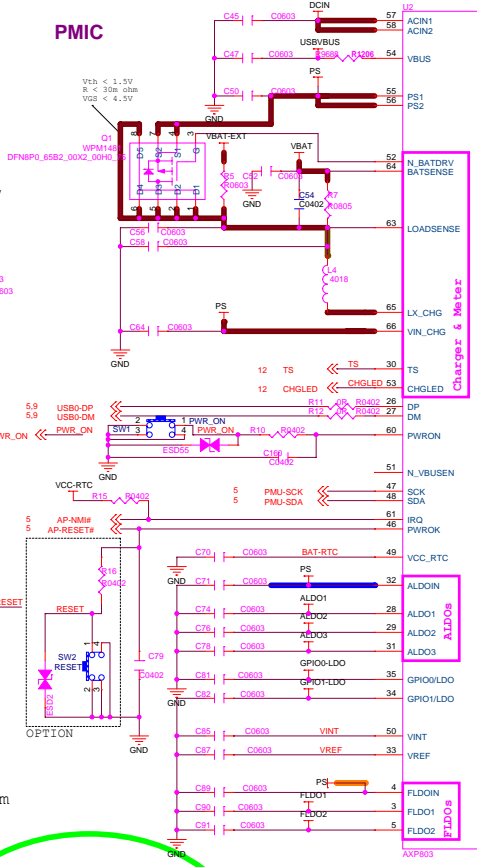




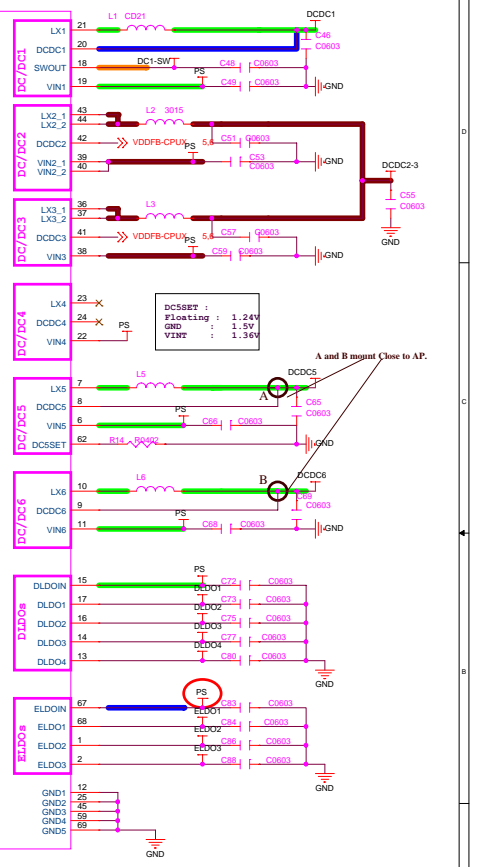
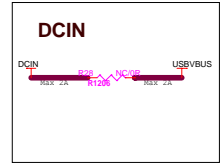
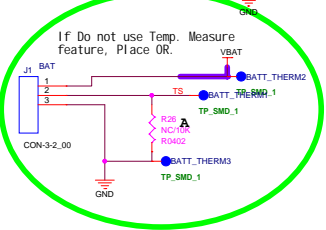
# PMIC



# PMIC

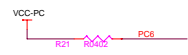
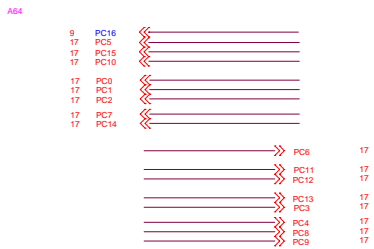
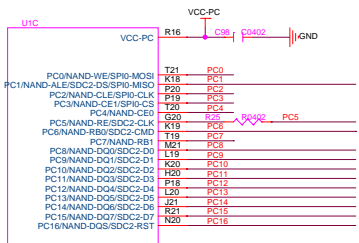


# Lithium BAT



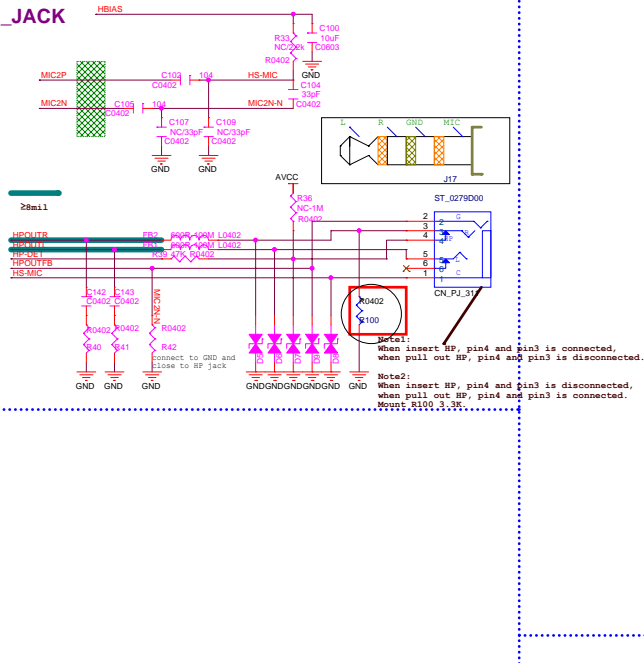
<b>Pine A64</b>	
<b>A64-DB</b>	
Title	PMIC
Document Number	Pg 6/19
	Rev 1.2

# NAND/eMMC



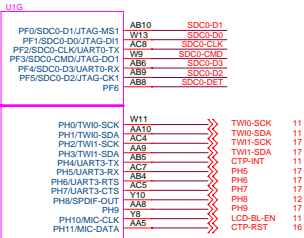
# AUDIO

## HP JACK

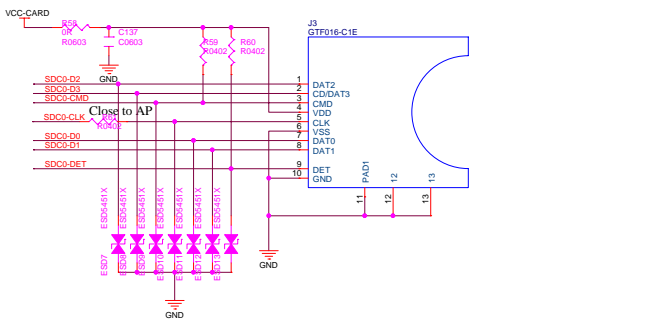




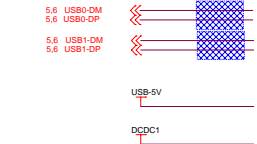
# T-CARD/USB



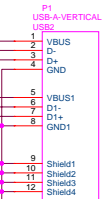
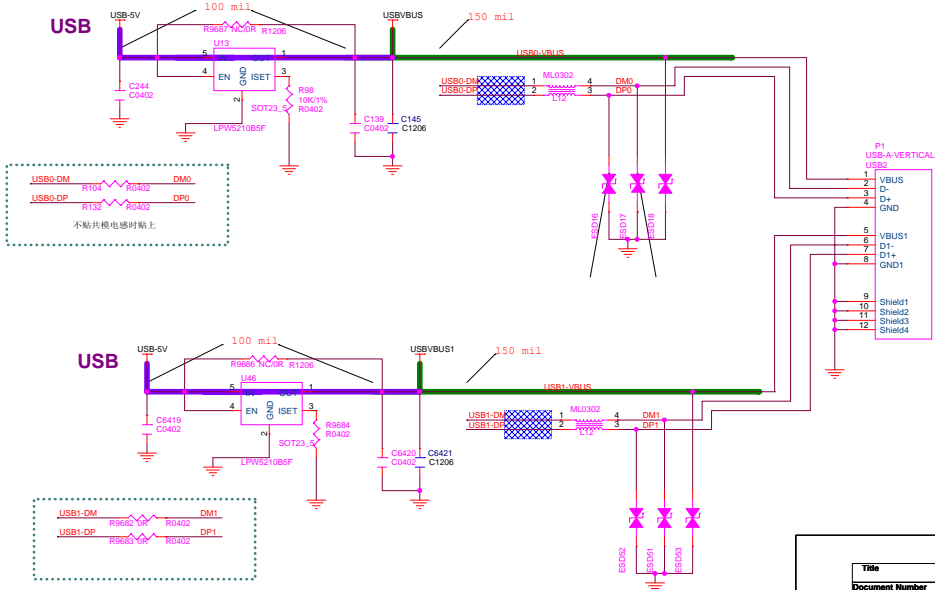
## T-CARD



VCC-CARD



## USB

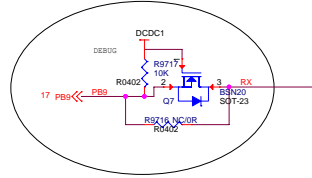
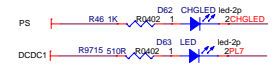
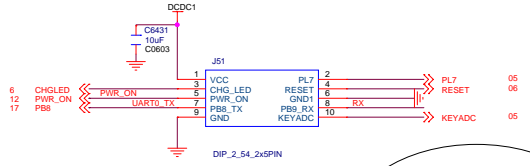
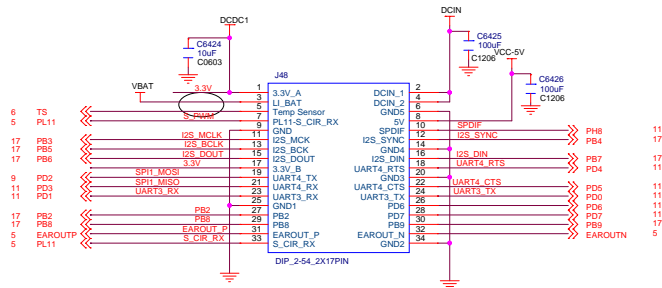


<b>Pine A64</b>	
Title	A64-DB
Document Number	T-CARD/USB
Pg 9/19	

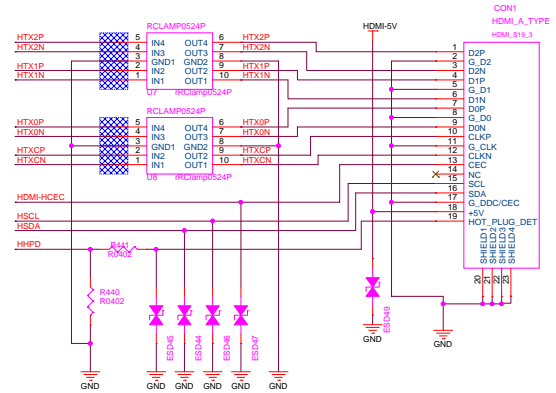
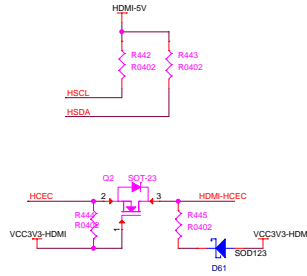
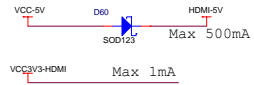




# Euler Bus



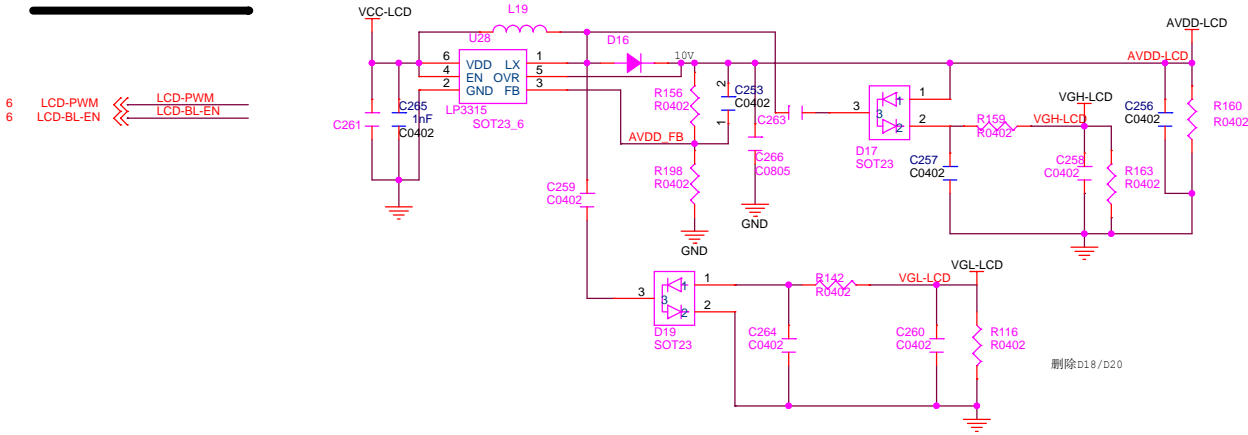
# HDMI



## Pine A64

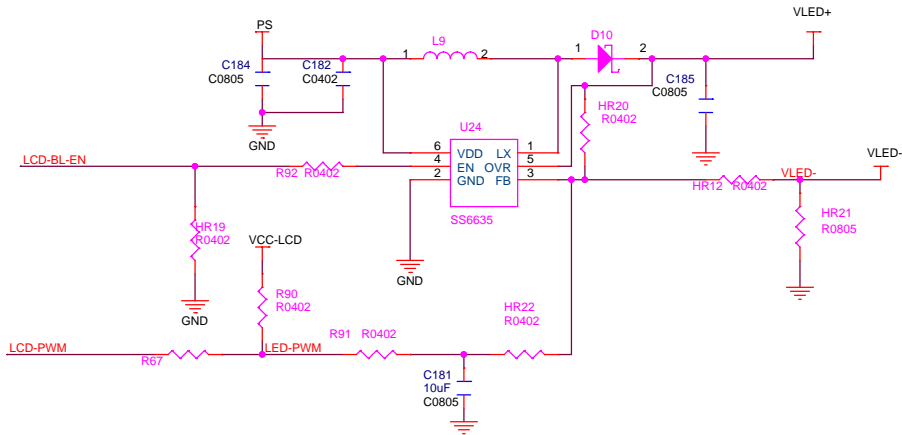
Title	A64-DB
Document Number	HDMI
Pg 13/19	Rev 1/1

# LCD POWER



删除D18/D20

# Backlight



## Pine A64

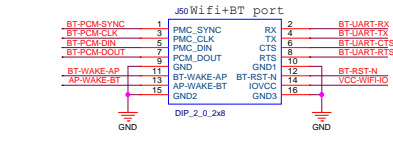
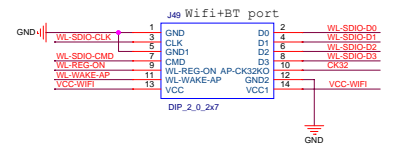
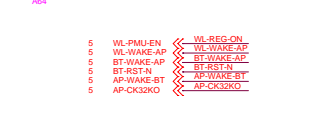
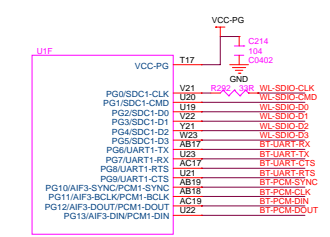
A64-DB

Document Number LCD POWER

Pg 14/19

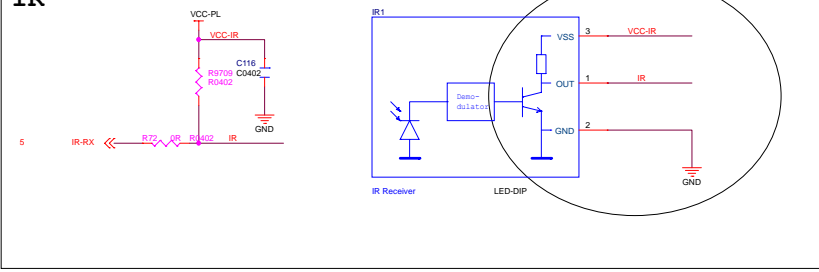
Rev

# WIFI+BT

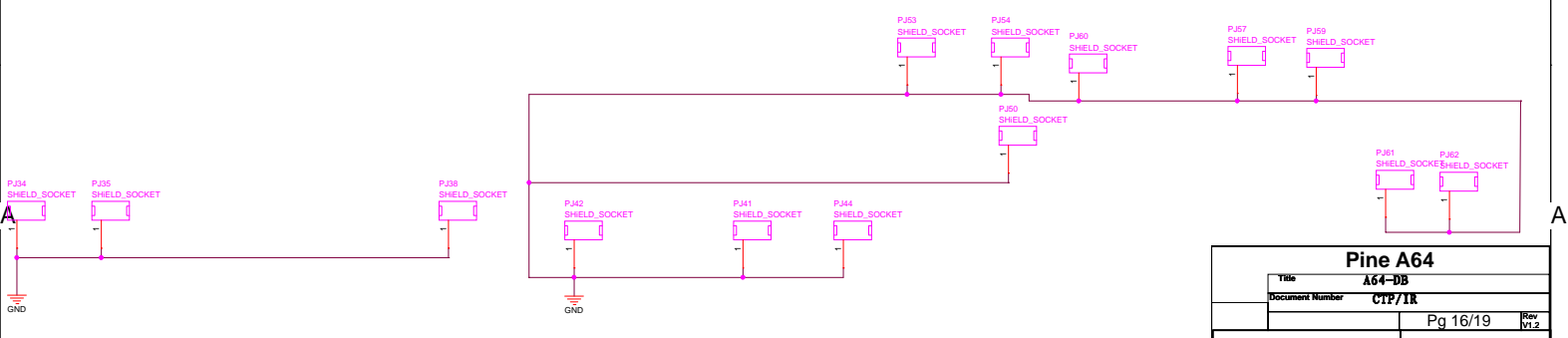
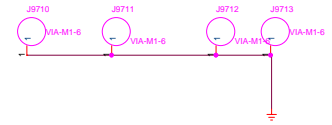
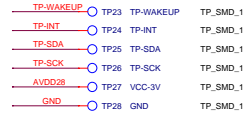
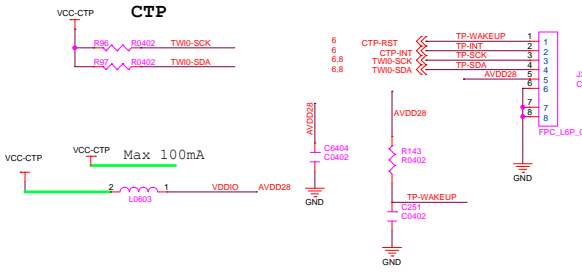


# CTP/IR

## IR

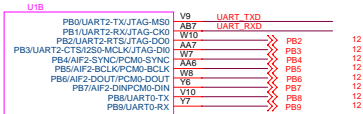


## CTP

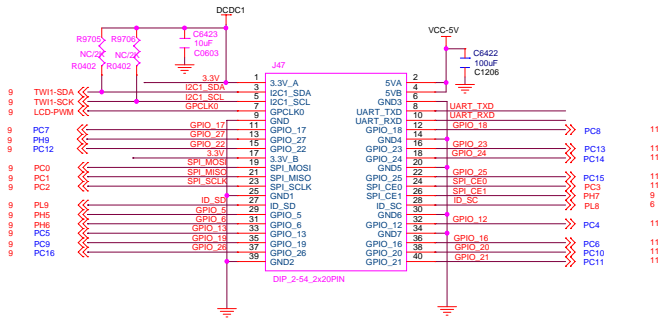




# PI-2 Bus

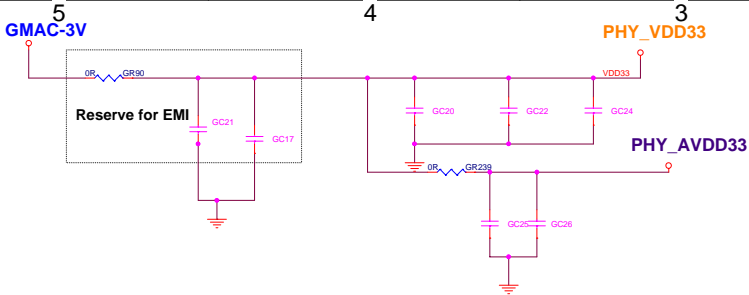


A64

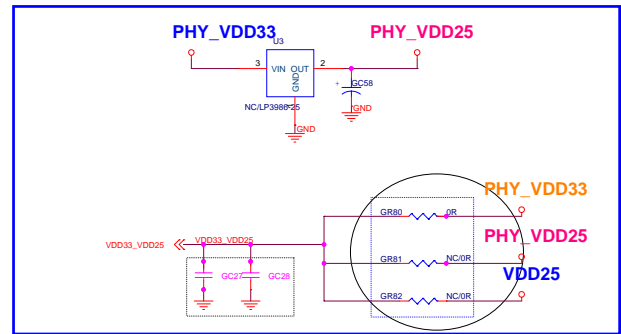


<b>Pine A64</b>	
Title	A64-DB
Document Number	PI-2
	Pg 17/19
	Rev M1.2

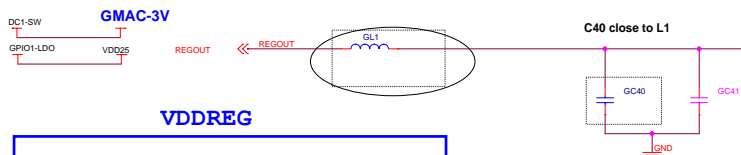




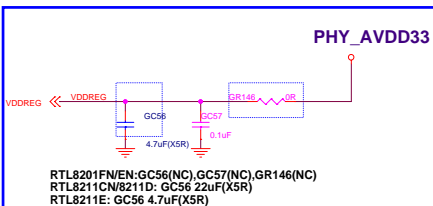
3.3/2.5V RGMII Power



RTL8211CN/D/E	GL1	C56	U10	GR65	GR66	GR122	GC41/GC57
Enable switching regulator	○	○	✗	○	✗	✗	○
Disable switching regulator	✗	✗	○	✗	○	○	✗



VDDREG



RTL8201FN/EN:GC56(NC),GC57(NC),GR146(NC)  
 RTL8211CN/8211D: GC56 22uF(X5R)  
 RTL8211E: GC56 4.7uF(X5R)

